



**SPECIFICATIONS:**

Shall be a Model **GDA-2** pressure and pressureless compartment cooker with gas steam boiler. The cooker shall be constructed of all-welded satin finish stainless steel, type 304. The doors shall have a removable inner liner of aluminum plate with full perimeter gasket seal, an outer liner of one-piece all-welded stainless steel, and a wheel-and-screw closing mechanism. The doors, with a clear opening of 10-1/4" x 26-3/8", shall latch upon closing and shall open 15° upon latch release.

The lower compartment shall be a pressure cooker only and shall operate at a maximum pressure of 6 psi (41 kPa). The upper compartment shall be either a pressureless free-venting cooker or a pressure cooker operating at a maximum of 6 psi (41 kPa), as selected by the operator.

The control housing shall be constructed of stainless steel with a full access removable panel. Each compartment shall have independent automatic timer controls with visual and audible signals. In the lower compartment and the pressure mode of the upper compartment, the controls automatically shut off and exhaust the incoming steam, drain the condensate from the compartment and sound a continuous signal until turned off manually. In the pressureless mode of the upper compartment, the controls shall also include a mode selector switch and a steam flow cut-off when the door is opened.

The cooking compartment shall have support for three slide-out shelves (one shelf standard).

Bottom cooking compartment shall have either removable shelf supports with one slide-out shelf (second shelf optional) or removable universal pan supports. The capacities shall range as follows:

- Shelf supports: Four full size (1/1 gastronorm) pans, 2-1/2" or 4" (64 mm or 100 mm) deep.
- Universal supports: Eight full size (1/1 gastronorm) pans, 2-1/2" (64 mm) deep, or four full size (1/1 gastronorm) pans, 4" (100 mm) deep.

The compartment cooker shall be mounted on a cabinet base with full perimeter angle frame, reinforced counter and boiler mountings, gas boiler with controls, all stainless steel exterior, hinged doors and 6" (152 mm) stainless steel legs with adjustable bullet feet.

Model	Compartments	Capacity
GDA-2	2	8-16 Pans

**OPERATION SHALL BE BY:**

Gas heated steam boiler operating at 15 psi (103 kPa) rated at 200,000 BTU.

The gas boiler shall be equipped for operation on:

- Natural gas
- Propane gas

The controls shall be equipped for operation on:

- 115 VAC, 1 Phase, 60 Hz

**OPTIONAL ITEMS AT EXTRA COST:**

- 250,000 BTU boiler
- 300,000 BTU boiler
- Automatic boiler blow down
- Two water lines (boiler feed and condensate)
- Stainless steel frame
- Cabinet size (48" to 60")
- Stainless steel back on cabinet
- California State boiler code requirement
- CSD-1
- Electronic ignition
- Load compensate timer
- 220 or 240 VAC, 1 phase, 50 Hz
- Correctional package

**ACCESSORIES:**






- Spray and rinse assembly
- 12" x 20" x 2.5" perforated stainless steel pan
- 12" x 20" x 2.5" solid stainless steel pan
- 12" x 20" x 4" perforated stainless steel pan
- 12" x 20" x 4" solid stainless steel pan
- Ball float trap
- Water in strainer
- Steam take-off kit
- De-lime piping assembly

Job \_\_\_\_\_ Item# \_\_\_\_\_



Models:  GDA-2S

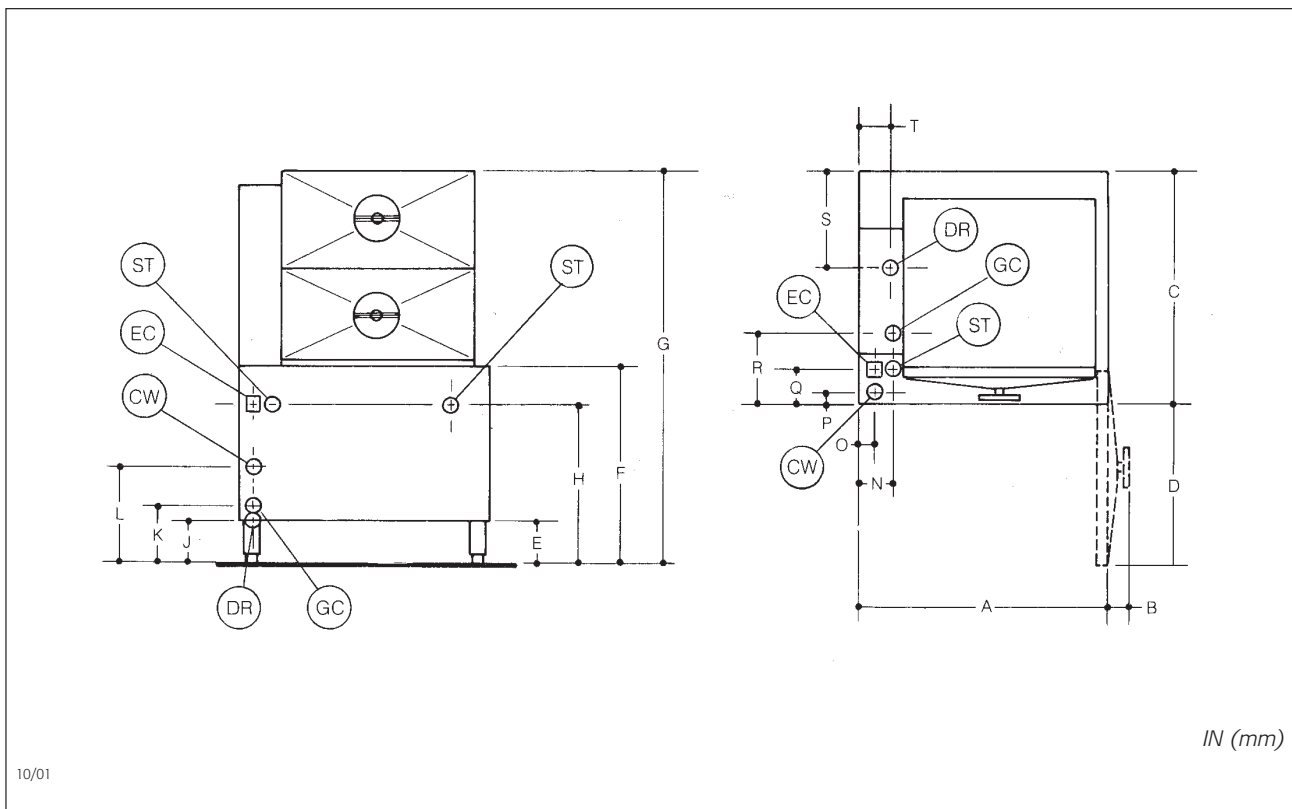
### SERVICE CONNECTIONS

-  – Cold Water: 1/2" (13 mm).
-  – Drain: 2" (51 mm) IPS piped to open floor drain. No solid connection.
-  – Electrical connection: 1/2" (13 mm) conduit connection to controls. Amps, 120-60-1 or 220-50-1.
-  – Steam Take-off Connection: 3/4" (19 mm) optional to operate adjacent equipment.
-  – Gas Connection: 3/4" (19 mm) IPS

MODEL	FUEL	BTU/HOUR	kCAL/HOUR	WATER COLUMN PRESSURE
GDA-2	Natural Gas	250,000	63,291	min. 4" (102 mm)
	Propane	250,000	63,291	min. 11" (152 mm)

### DIMENSIONS

MODEL	UNITS	A	B	C	D	E	F	G	H	J	K	L	N	O	P	Q	R	S	T
GDA-2	inches	39	6	33	23.5	6	28	55	22	6	8	13	4	2	2	3	10	11	5
	mm	914	512	838	597	152	711	1397	559	152	203	330	102	51	51	76	254	279	127



IN (mm)

10/01

**INTENDED FOR COMMERCIAL USE ONLY.  
NOT FOR HOUSEHOLD USE.**



1100 Old Honeycutt Rd., Fuquay-Varina, NC 27526  
www.southbendnc.com